

STEMS

MODEL: HEADSPACE

FEATURES:

RETRO INSPIRED DESIGN

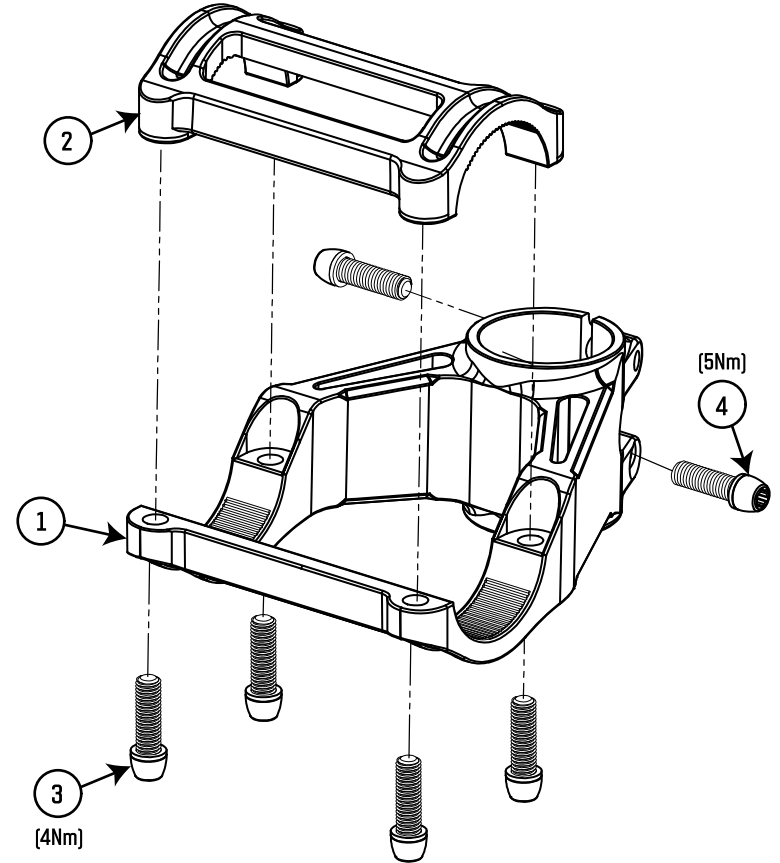
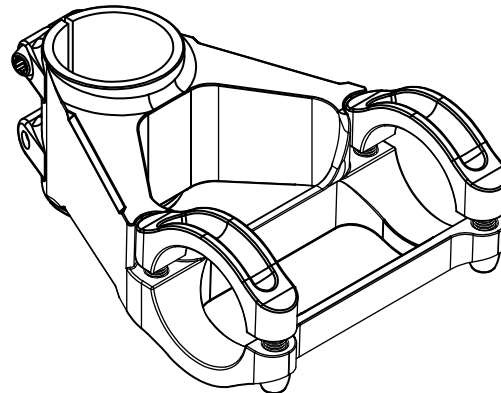
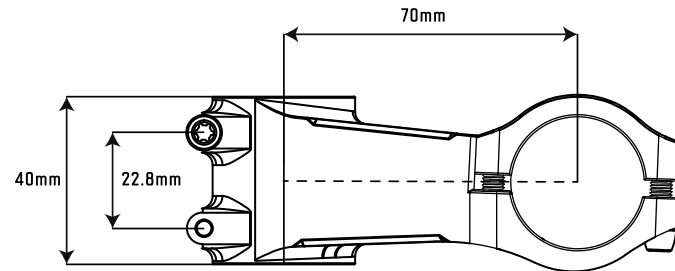
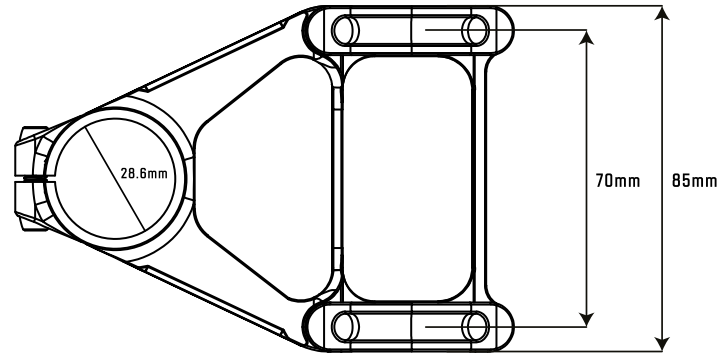
70mm EXTENSION

ZERO DEGREE RISE

31.8mm BAR-BORE

FORGED ALLOY CONSTRUCTION

WEIGHT : 167g



Item No.	Description	Material	Quantity
1.	70mm Stem	AL6061	1
2.	One Piece Clamp	AL6061	1
3.	Screw T25-M5x18mmL (4Nm)	SUS304	4
4.	Screw T25-M5x16mmL (5Nm)	SUS304	2